



FOR  
**ROVER** 75 A/C+ (02/99 >)



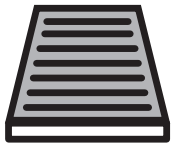
**PROTECT**

combined with  
active carbon

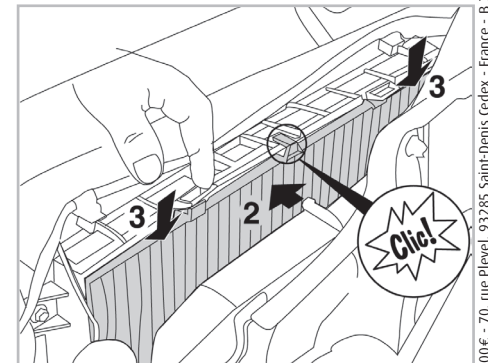
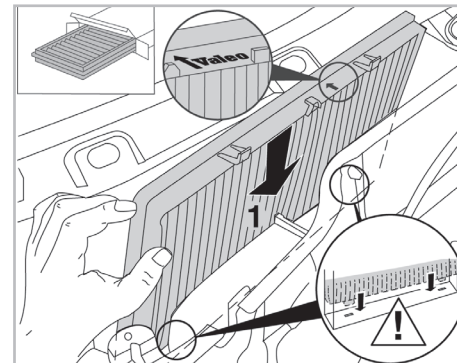
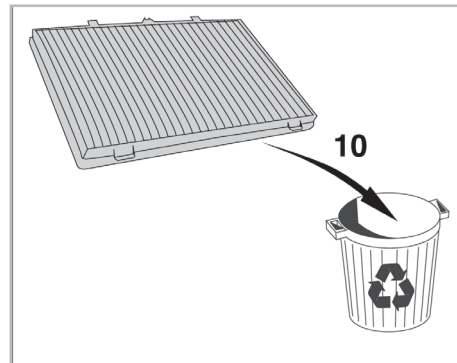
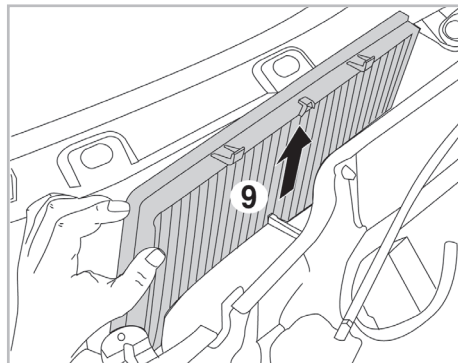
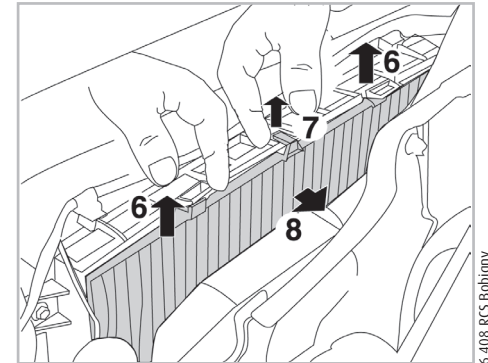
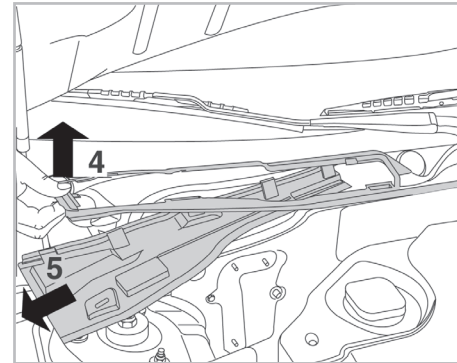
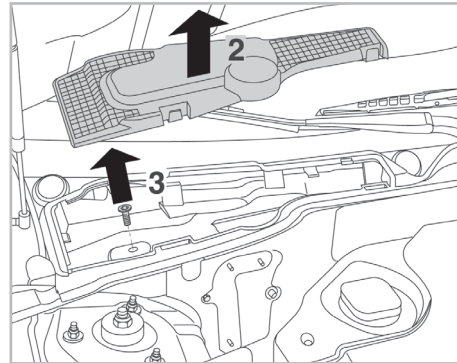
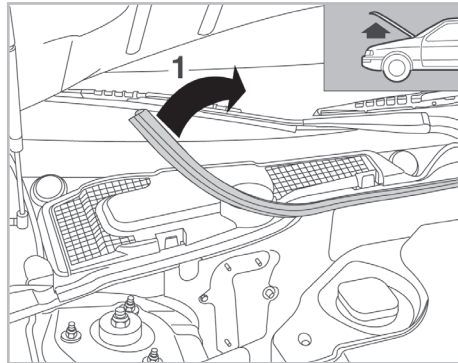


**698880**

FH519



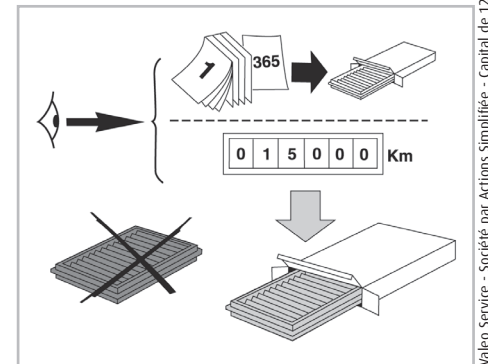
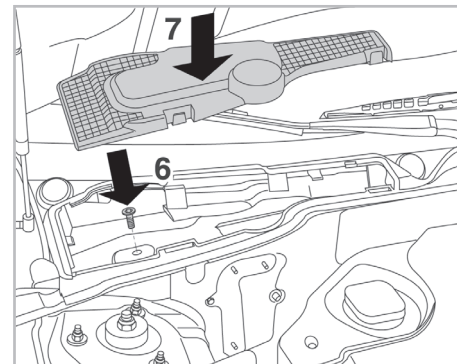
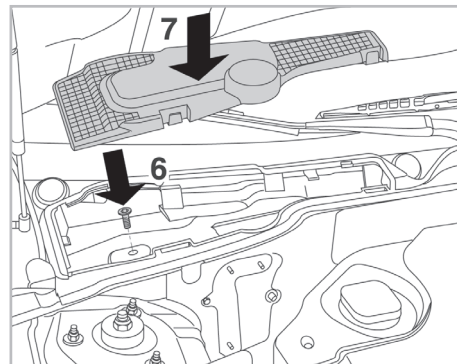
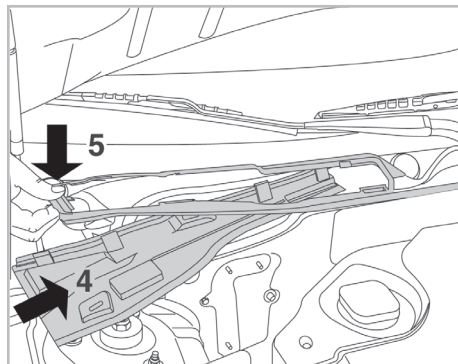
CA



WANT TO  
KNOW MORE?



[www.valeo-techassist.com](http://www.valeo-techassist.com)



Valeo Service - Société par Actions simplifiée - Capital de 12 900 000 € - 70, rue Playel, 93285 Saint-Denis Cedex - France - B 306 486 408 RCS Bobigny